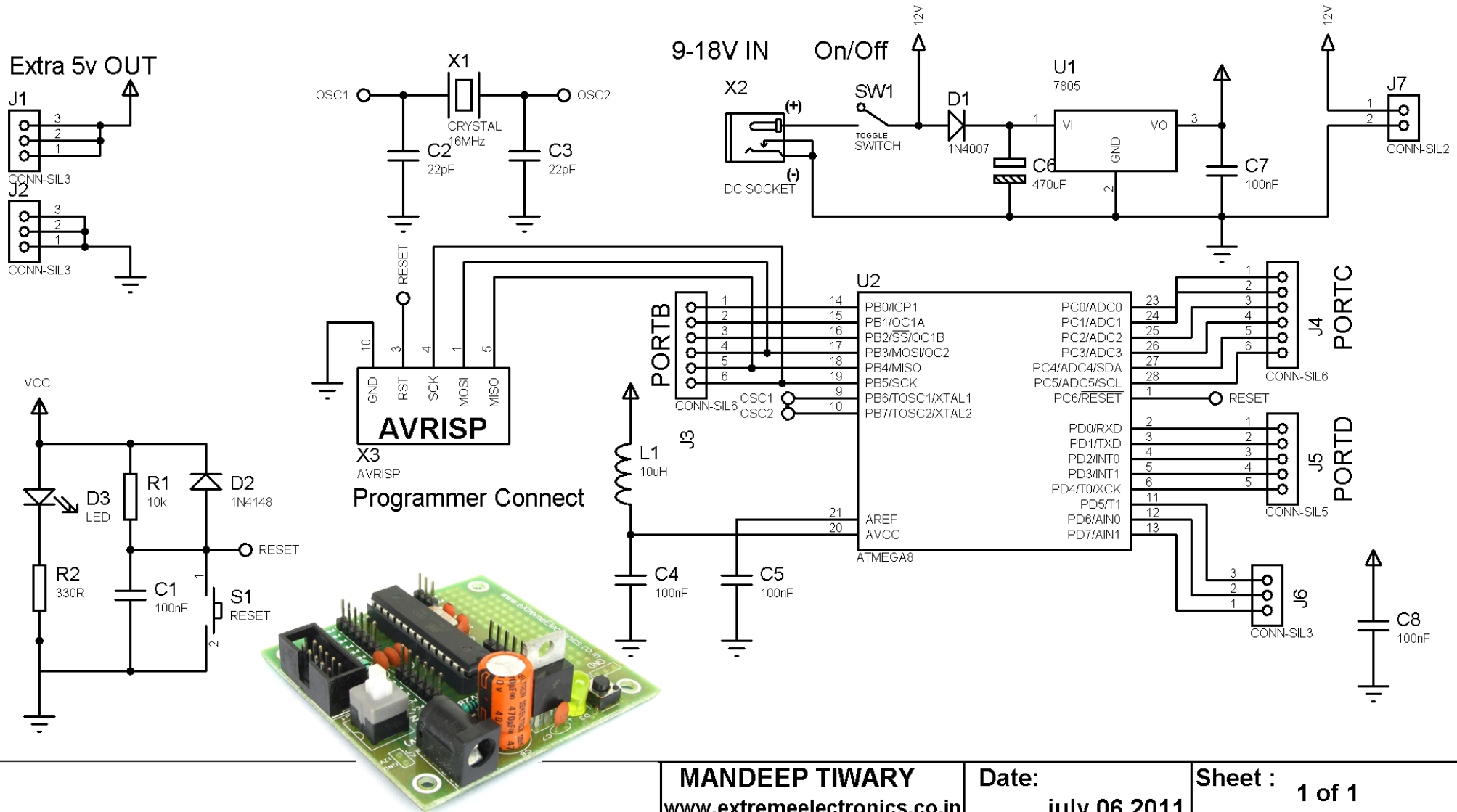


28 PIN AVR Development Board.

Schematic Provide for Educational purpose only.
 No part can be used in commercial application or publication,
 Without a written permission from orgianal designer.



eXtreme Electronics

MANDEEP TIWARY www.extremeelectronics.co.in		Date: july 06,2011	Sheet : 1 of 1
Title: 28 PIN AVR Development Board.			
Size: A	Document Number : 0001	Rev: 1.0	